

DESCRIPTION: ABOVE PCB, DECK AND PUSH ROD LOCATION ARE AS VIEW BY USER.

| PRODUCT NO. 71299-XXXX | PUSH-ROD LOCATION | STAND-OFF HEIGHT | (A) HEADER ASSY 71249-XXXX OR 61519-XXXX | (B) MECHANISM ASSY 72336-XXXX | (C) MATING RECEPTACLE | MOUNTING STYLE TO PCB AND PUSH-ROD SIDE |
|---------------------------|----------------------|---------------------|--|-------------------------------------|--|---|
| 000CA | RIGHT | 0.0 | 0000 | 72336-000CA | 100 POSITION (2X50) 0.8mm RECEPTACLE PART NO. 73277-101000 PURCHASE SEPARATELY | |
| 020CA | RIGHT | 2.2 | 0022 | 72336-022CA | | |
| 040CA | RIGHT | 4.3 | 0043 | 72336-043CA | | |
| 050CA | RIGHT | 5.0 | 0050 | 72336-050CA | | |
| 050FA (2) | RIGHT | 5.0 | 0050 | 72336-050FA | | |
| 100CA | LEFT | 0.0 | 0000 | 72336-100CA | | |
| 120CA | LEFT | 2.2 | 0022 | 72336-122CA | | |
| 140CA | LEFT | 4.3 | 0043 | 72336-143CA | | |
| 150CA | LEFT | 5.0 | 0050 | 72336-150CA | | |
| 005CA | RIGHT | 0.0 | 0500 | 72336-000CA | | |
| 025CA | RIGHT | 0.0 | 0522 | 72336-000CA | | |
| 045CA | RIGHT | 0.0 | 0543 | 72336-000CA | | |
| 055CA | RIGHT | 0.0 | 0550 | 72336-000CA | | |
| 105CA | LEFT | 0.0 | 0500 | 72336-100CA | | |
| 125CA | LEFT | 0.0 | 0522 | 72336-100CA | | |
| 145CA | LEFT | 0.0 | 0543 | 72336-100CA | | |
| 155CA | LEFT | 0.0 | 0550 | 72336-100CA | | |

ORDERING INFORMATION

ORDER:

- EJECT HEADER ASSY (71299-XXXXX/XXXXLF)
- MATING RECEPTACLE (73277-101000/101402LF)

NOTE:

- SEE 71240 FOR DOUBLE-DECK APPLICATIONS.
- PUSH BUTTON LENGTH IS 21mm FOR 71299-050FA & 71299-050FALF(LEAD-FREE TYPE)

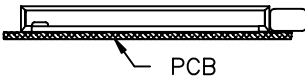
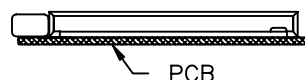

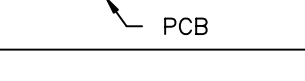

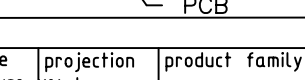
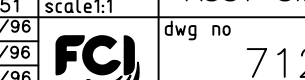

| | | | | | | | | | |
|-------------|----------|---------------------|----------|---------------------------------------|-----------|--|---|-----------------------|---|
| mat'l. code | | surface ISO 1302 | | tolerance ISO 406 ISO 1101 | | projection 1:1 | | product family | |
| ltr | ecn no | dr | date | tolerances unless otherwise specified | | title | | dwg no | |
| L | V20120 | RGD | 1/18/02 | angles | .X±.3 | CARDBUS SINGLE DECK ASSY SMT TYPE 123 | | sheet 1 of 1 size | |
| M | V03-0552 | WL | 05/29/03 | linear | .XX±.13 | MM | | 71299 | |
| N | T04-0316 | WL | 07/12/04 | ±2' | .XXX±.051 | scale:1:1 | | A4 | |
| P | N05-0034 | WB | 02/16/05 | dr | R.GRAPE | 7/3/96 | | type CUSTOMER Drawing | |
| R | N08-0060 | MZ | 06/20/05 | enr | D.BRANN | 7/3/96 | | Drawing | |
| | | | | chr | D.BRANN | 7/3/96 | | | |
| | | | | appd | D.BRANN | 7/3/96 | | | |
| sheet | revision | R | R | R | R | R | R | R | R |
| index | sheet | 1 | 2 | 3 | 4 | 5 | 6 | 7 | 8 |

FCI CONFIDENTIAL



This document is the property of and embodies CONFIDENTIAL and PROPRIETARY information of FCI. No part of the information shown on this document may be used in any way or disclosed to others without the written consent of FCI. Copyright FCI.

DESCRIPTION: ABOVE PCB, DECK AND PUSH ROD LOCATION ARE AS VIEW BY USER.

| PRODUCT NO. 71299-XXXX | PUSH-ROD LOCATION | STAND-OFF HEIGHT | Ⓐ HEADER ASSY 71249-XXXX OR 61519-XXXX | Ⓑ MECHANISM ASSY 72336-XXXX | Ⓒ MATING RECEPTACLE | MOUNTING STYLE TO PCB AND PUSH-ROD SIDE |
|---------------------------|----------------------|---------------------|--|-----------------------------------|---|---|
| 000CALF | RIGHT | 0.0 | 0000MLF | 72336-000CA | 100 POSITION (2X50) 0.8mm RECEPTACLE PART NO. 73277-101000 OR 73277-101402LF PURCHASE SEPARATELY |  |
| 020CALF | RIGHT | 2.2 | 0022MLF | 72336-022CA | |  |
| 040CALF | RIGHT | 4.3 | 0043MLF | 72336-043CA | |  |
| 050CALF | RIGHT | 5.0 | 0050MLF | 72336-050CA | |  |
| 050FALF ② | RIGHT | 5.0 | 0050MLF | 72336-050FA | |  |
| 100CALF | LEFT | 0.0 | 0000MLF | 72336-100CA | |  |
| 120CALF | LEFT | 2.2 | 0022MLF | 72336-122CA | |  |
| 140CALF | LEFT | 4.3 | 0043MLF | 72336-143CA | |  |
| 150CALF | LEFT | 5.0 | 0050MLF | 72336-150CA | | |
| 151CALF | LEFT | 5.0 | 0050MLF | 52219-150HAM | | |
| 005CALF | RIGHT | 0.0 | 0500MLF | 72336-000CA | | |
| 025CALF | RIGHT | 0.0 | 0522MLF | 72336-000CA | | |
| 045CALF | RIGHT | 0.0 | 0543MLF | 72336-000CA | | |
| 055CALF | RIGHT | 0.0 | 0550MLF | 72336-000CA | | |
| 105CALF | LEFT | 0.0 | 0500MLF | 72336-100CA | | |
| 125CALF | LEFT | 0.0 | 0522MLF | 72336-100CA | | |
| 145CALF | LEFT | 0.0 | 0543MLF | 72336-100CA | | |
| 155CALF | LEFT | 0.0 | 0550MLF | 72336-100CA | | |
| 156CALF | LEFT | 0.0 | 0550MLF | 52219-100HAM | | |

ORDERING INFORMATION

ORDER:

- EJECT HEADER ASSY (71299-XXXX/XXXXLF)
- MATING RECEPTACLE (73277-101000/101402LF)

NOTE:

- SEE 71240 FOR DOUBLE-DECK APPLICATIONS.
- PUSH BUTTON LENGTH IS 21mm FOR 71299-050FA & 71299-050FALF(LEAD-FREE TYPE)

| | | | | | |
|-------------|----------------|---------------------------------------|-------------------------------|------------|---|
| mat'l. code | | surface | tolerance | projection | product family |
| ltr | | ISO 1302 | ISO 406 ISO 1101 | | title CARDBUS SINGLE DECK ASSY SMT TYPE 123 |
| ecn no | dr | tolerances unless otherwise specified | | MM | |
| dr | date | angles | linear | scale:1:1 | dwg no 71299 sheet 2 of 11 size A4 |
| ecn no | dr | ±2' | .X±.3 .XX±.13 .XXX±.051 | | |
| dr | | R.GRAPE | 7/3/96 | | type CUSTOMER Drawing |
| enr | | D.BRANN | 7/3/96 | | |
| chr | | D.BRANN | 7/3/96 | | |
| appd | | D.BRANN | 7/3/96 | | |
| sheet index | revision sheet | | | | |

PDM: Rev:R

STATUS: Released

Printed: Oct 12, 2010

FCI CONFIDENTIAL



FCIconnect.com

This document is the property of and embodies CONFIDENTIAL and PROPRIETARY information of FCI. No part of the information shown on this document may be used in any way or disclosed to others without the written consent of FCI. Copyright FCI.

DESCRIPTION: BELOW PCB, DECK AND PUSH ROD LOCATION ARE AS VIEWED BY USER

| PRODUCT NO. 71299-XXXX | PUSH-ROD LOCATION | STAND-OFF HEIGHT | (A) HEADER ASSY 71249-XXXX | (B) MECHANISM ASSY 72337-XXXX | (C) MATING RECEPTACLE | MOUNTING STYLE TO PCB AND PUSH-ROD SIDE |
|---------------------------|----------------------|---------------------|----------------------------------|-------------------------------------|--|---|
| 520CA | RIGHT | 2.2 | 5022 | 72337-122CA | 100 POSITION (2X50) 0.8mm RECEPTACLE PART NO. 73277-101000 73277-101402LF | |
| 540CA | RIGHT | 4.3 | 5043 | 72337-143CA | | |
| 550CA | RIGHT | 5.0 | 5050 | 72337-150CA | | |
| 520CALF | RIGHT | 2.2 | 5022LF | 72337-122CA | | |
| 540CALF | RIGHT | 4.3 | 5043LF | 72337-143CA | | |
| 550CALF | RIGHT | 5.0 | 5050LF | 72337-150CA | | |
| 620CA | LEFT | 2.2 | 5022 | 72337-022CA | | |
| 640CA | LEFT | 4.3 | 5043 | 72337-043CA | | |
| 650CA | LEFT | 5.0 | 5050 | 72337-050CA | | |
| 620CALF | LEFT | 2.2 | 5022LF | 72337-022CA | | |
| 640CALF | LEFT | 4.3 | 5043LF | 72337-043CA | | |
| 650CALF | LEFT | 5.0 | 5050LF | 72337-050CA | | |
| 525CA | RIGHT | 0.0 | 5522 | 72337-100CA | | |
| 545CA | RIGHT | 0.0 | 5543 | 72337-100CA | | |
| 555CA | RIGHT | 0.0 | 5550 | 72337-100CA | | |
| ① 555DA | RIGHT | 0.0 | 5550 | 72337-100DA | | |
| 525CALF | RIGHT | 0.0 | 5522LF | 72337-100CA | | |
| 545CALF | RIGHT | 0.0 | 5543LF | 72337-100CA | | |
| 555CALF | RIGHT | 0.0 | 5550LF | 72337-100CA | | |
| ① 555DALF | RIGHT | 0.0 | 5550LF | 72337-100DA | | |
| 625CA | LEFT | 0.0 | 5522 | 72337-000CA | | |
| 645CA | LEFT | 0.0 | 5543 | 72337-000CA | | |
| 655CA | LEFT | 0.0 | 5550 | 72337-000CA | | |
| 625CALF | LEFT | 0.0 | 5522LF | 72337-000CA | | |
| 645CALF | LEFT | 0.0 | 5543LF | 72337-000CA | | |
| 655CALF | LEFT | 0.0 | 5550LF | 72337-000CA | | |

ORDERING INFORMATION

ORDER:

- EJECT HEADER ASSY (71299-XXXX/XXXXLF)
- MATING RECEPTACLE (73277-101000/101402LF)

- NOTES:**
- 555DA HAS 15.6mm PUSH BUTTON RETURN LENGTH INSTEAD OF 13.0mm.
 - BELOW P.C.B., 0.0mm STAND-OFF IS NOT AVAILABLE.

| | | | | | |
|-------------|----------|---------------------|-------------------------------|---------------------------------------|--|
| mat'l. code | | surface ISO 1302 | tolerance ISO 406 ISO 1101 | projection | product family |
| ltr | ecn no | dr | date | tolerances unless otherwise specified | title |
| R | | | | angles linear ±2' | CARDBUS SINGLE DECK ASSY SMT TYPE 123 |
| | | | | .X±.3 .XX±.13 .XXX±.051 | MM ← |
| | | | | dr | scale:1:1 |
| | | | | R.GRAPE | 7/3/96 |
| | | | | enr | D.BRANN |
| | | | | chr | D.BRANN |
| | | | | appd | D.BRANN |
| | | | | | 7/3/96 |
| sheet | revision | | | | |
| index | sheet | | | | |

FCI

dwg no 71299 sheet 3 of 11 size A4

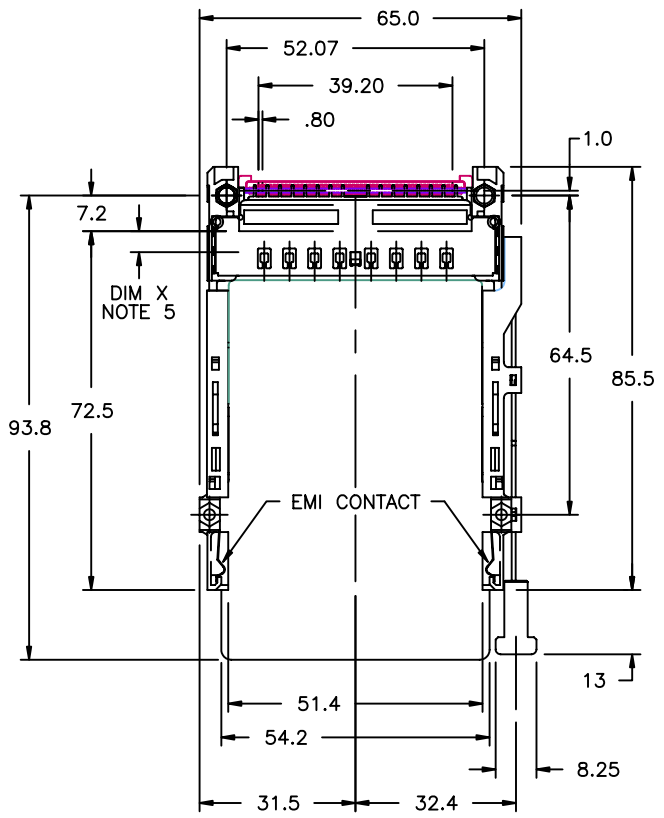
type CUSTOMER Drawing

FCI CONFIDENTIAL

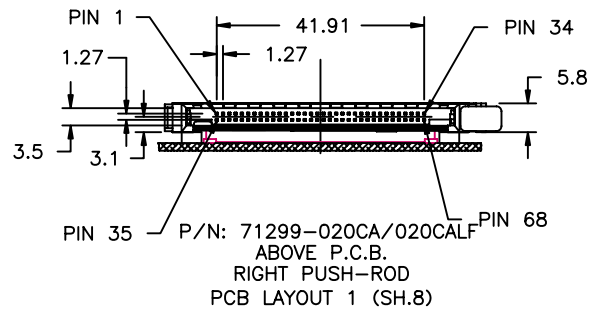
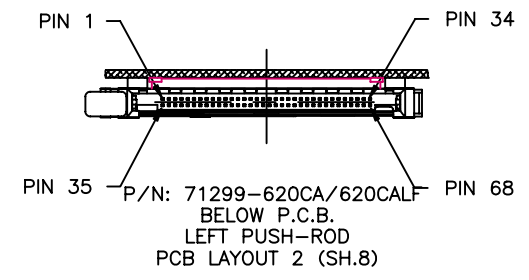
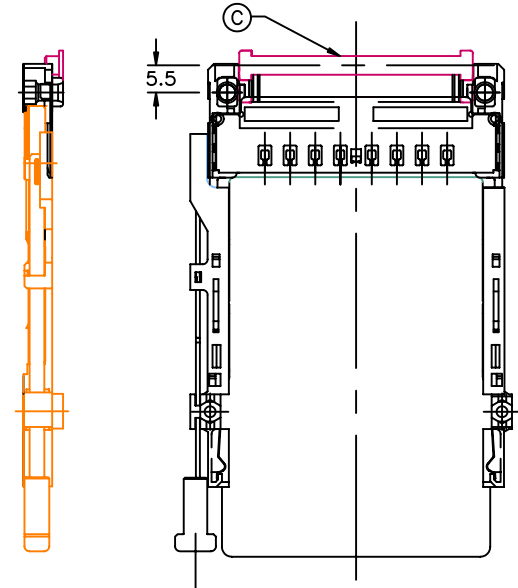
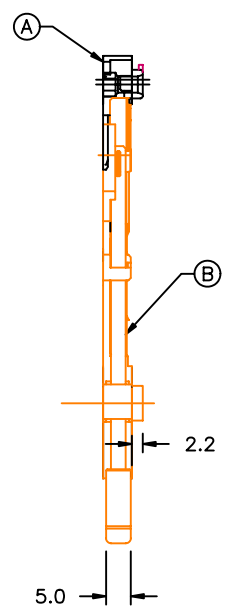
FCI
fciconnect.com

This document is the property of and embodies CONFIDENTIAL and PROPRIETARY information of FCI. No part of the information shown on this document may be used in any way or disclosed to others without the written consent of FCI.
Copyright FCI

PRODUCT NUMBER
71299-*****/****LF



MATING RECEPTACLE
SHOWN FOR APPLICATION
CLARITY ONLY
MUST BE PURCHASED
SEPARATELY



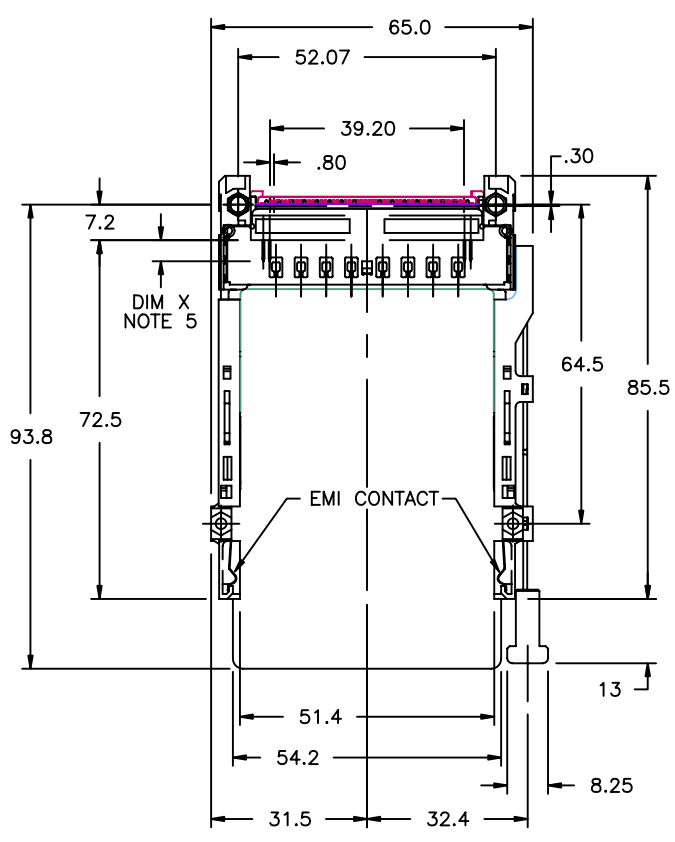
| | | | | | |
|-------------|----------|---------------------------------------|------------------|------------|---------------------------------------|
| mat'l. code | | surface | tolerance | projection | product family |
| ltr | | ISO 1302 | ISO 406 ISO 1101 | | title |
| ecm no | dr | tolerances unless otherwise specified | | MM | CARDBUS SINGLE DECK ASSY SMT TYPE 123 |
| dr | R.GRAPE | angles | .X±.3 | scale:1:1 | dwg no |
| enr | D.BRANN | linear | .XX±.13 | | 71299 |
| chr | D.BRANN | ±2' | .XXX±.051 | | sheet 4of11 size |
| appd | D.BRANN | | | | A4 |
| sheet | revision | | | | type |
| index | sheet | | | | CUSTOMER Drawing |

FCI CONFIDENTIAL

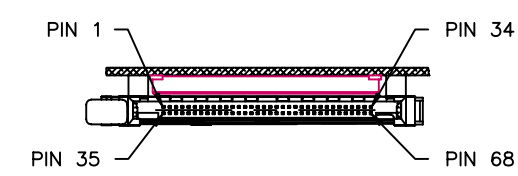
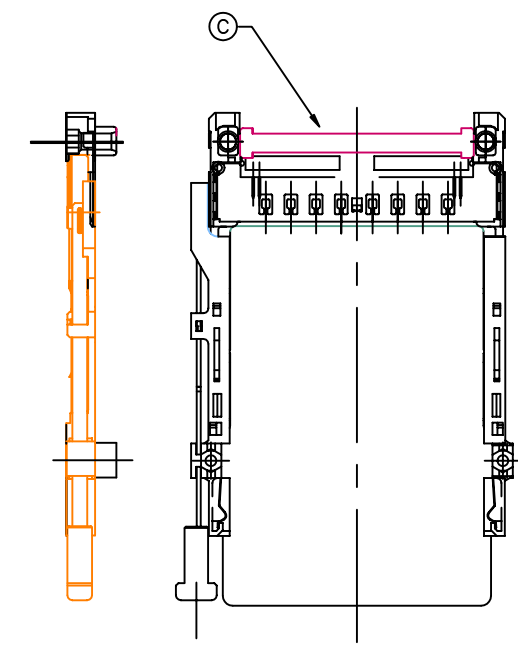
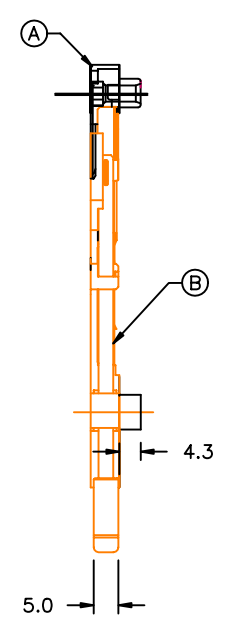
FCI
FClconnect.com

This document is the property of and embodies CONFIDENTIAL and PROPRIETARY information of FCI. No part of the information shown on this document may be used in any way or disclosed to others without the written consent of FCI.
Copyright FCI

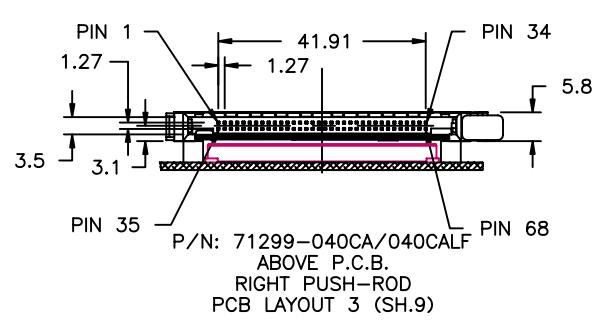
PRODUCT NUMBER
71299-*****/****LF



MATING RECEPTACLE SHOWN FOR APPLICATION CLARITY ONLY MUST BE PURCHASED SEPARATELY



P/N: 71299-640CA/640CALF
BELOW P.C.B.
LEFT PUSH-ROD
PCB LAYOUT 4 (SH.9)



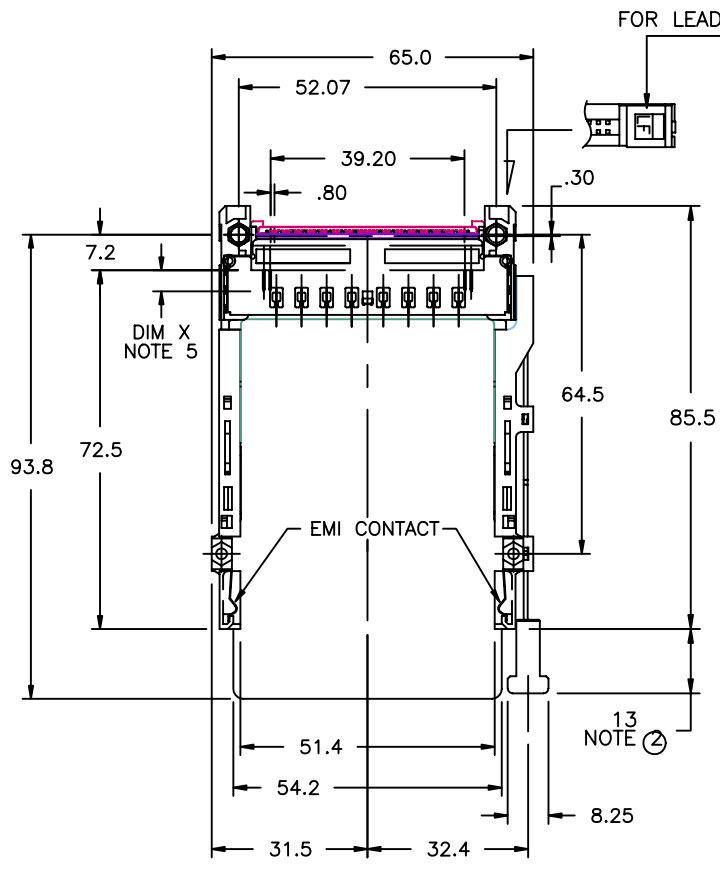
| | | | | | |
|-------------|----------|---------------------------------------|------------------|------------|---------------------------------------|
| mat'l. code | | surface | tolerance | projection | product family |
| ltr | | ISO 1302 | ISO 406 ISO 1101 | | |
| ecm no | dr | tolerances unless otherwise specified | | title | |
| R | | angles | .X±.3 | MM | CARDBUS SINGLE DECK ASSY SMT TYPE 123 |
| | | linear | .XX±.13 | ← | |
| | | ±2' | .XXX±.051 | scale:1:1 | |
| | | dr | R.GRAPE | 7/3/96 | dwg no |
| | | enr | D.BRANN | 7/3/96 | 71299 |
| | | chr | D.BRANN | 7/3/96 | sheet 5 of 11 |
| | | appd | D.BRANN | 7/3/96 | size A4 |
| sheet | revision | | | | type CUSTOMER |
| index | sheet | | | | Drawing |

FCI CONFIDENTIAL

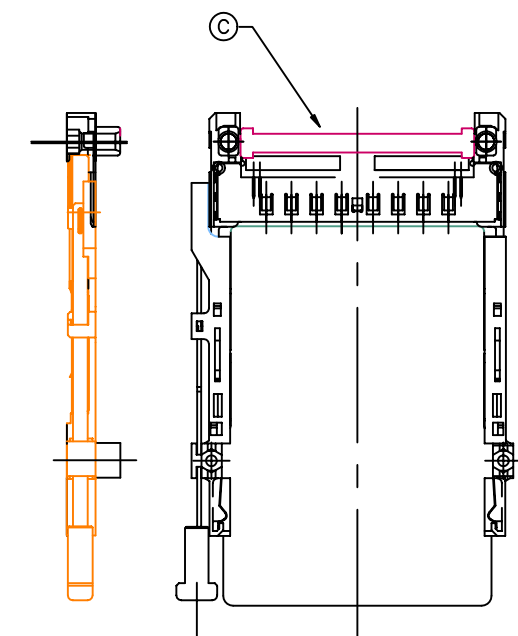
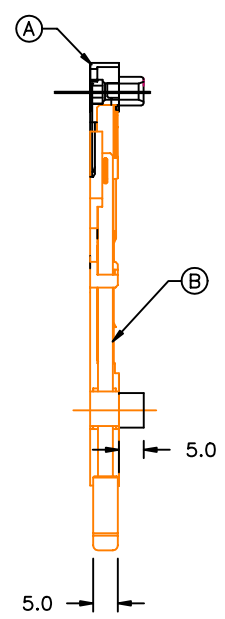


This document is the property of and embodies CONFIDENTIAL and PROPRIETARY information of FCI. No part of the information shown on this document may be used in any way or disclosed to others without the written consent of FCI.
Copyright FCI

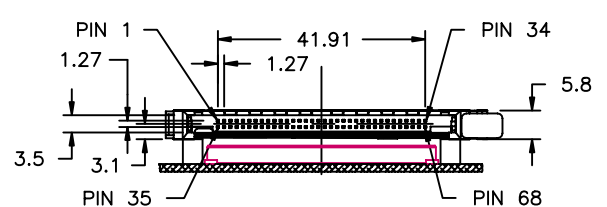
PRODUCT NUMBER
71299-*****/****LF



FOR LEAD-FREE TYPE ONLY(REF.)
MATING RECEPTACLE SHOWN FOR APPLICATION CLARITY ONLY MUST BE PURCHASED SEPARATELY



P/N: 71299-650CA
BELOW P.C.B.
LEFT PUSH-ROD
PCB LAYOUT 4 (SH.9)



P/N: 71299-050FA/-050FALF
(NOTE 2)
P/N: 71299-050CA/-050CALF
ABOVE P.C.B.
RIGHT PUSH-ROD
PCB LAYOUT 3 (SH.9)

| | | | | | |
|-------------|--------|----------------|-----------|---------------------------------------|---------------------------------------|
| mat'l. code | | surface | tolerance | projection | product family |
| ISO 1302 | | ISO 406 | ISO 1101 | | |
| ltr | ecn no | dr | date | tolerances unless otherwise specified | title |
| R | | | | angles linear | CARDBUS SINGLE DECK ASSY SMT TYPE 123 |
| | | | | .X±.3 | |
| | | | | .XX±.13 | |
| | | | | ±2' | scale:1:1 |
| | | | | dr R.GRAPE | 7/3/96 |
| | | | | enr D.BRANN | 7/3/96 |
| | | | | chr D.BRANN | 7/3/96 |
| | | | | appd D.BRANN | 7/3/96 |
| sheet index | | revision sheet | | | |



dwg no 71299 sheet 6 of 11 size A4
type CUSTOMER Drawing

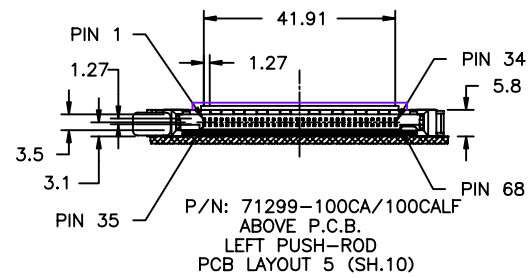
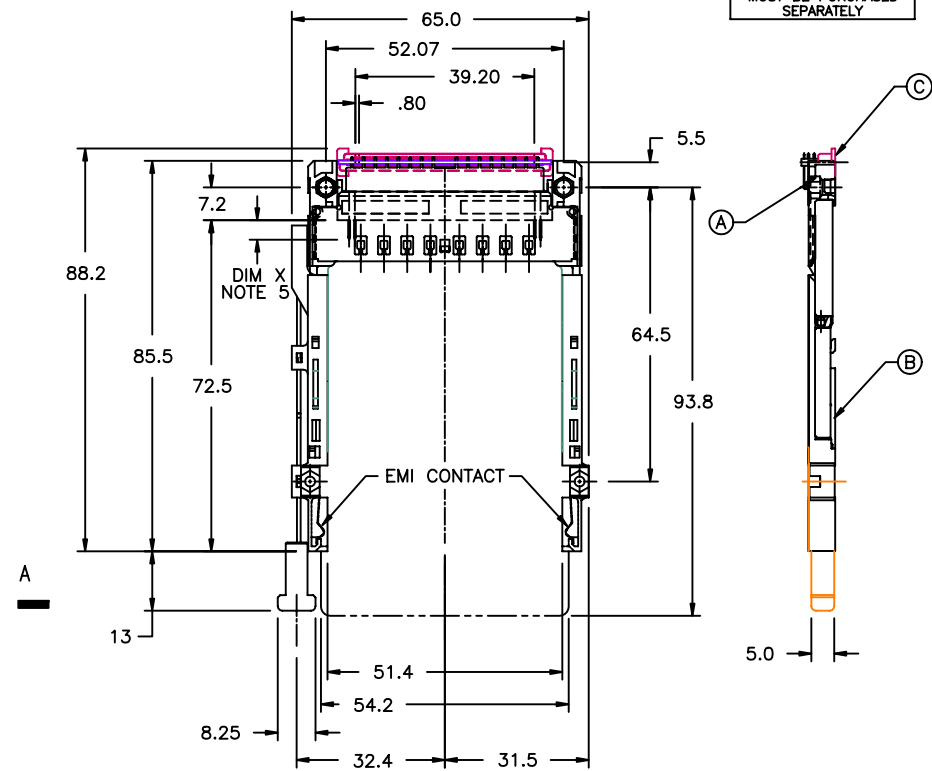
FCI CONFIDENTIAL



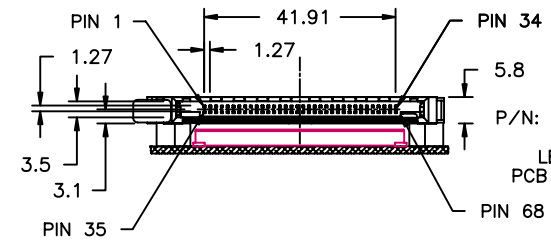
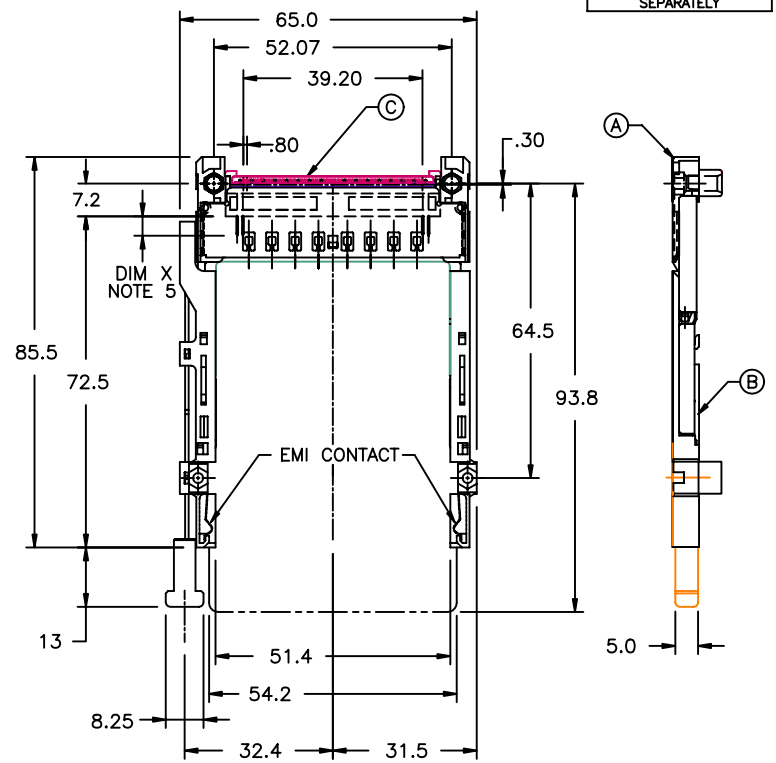
This document is the property of and embodies CONFIDENTIAL and PROPRIETARY information of FCI. No part of the information shown on this document may be used in any way or disclosed to others without the written consent of FCI.
Copyright FCI

PRODUCT NUMBER
71299-*****/****L F

MATING RECEPTACLE
SHOWN FOR APPLICATION
CLARITY ONLY
MUST BE PURCHASED
SEPARATELY

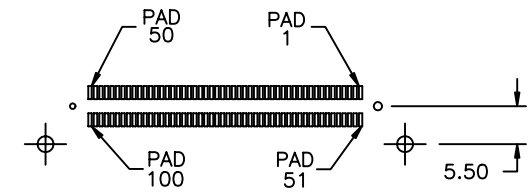
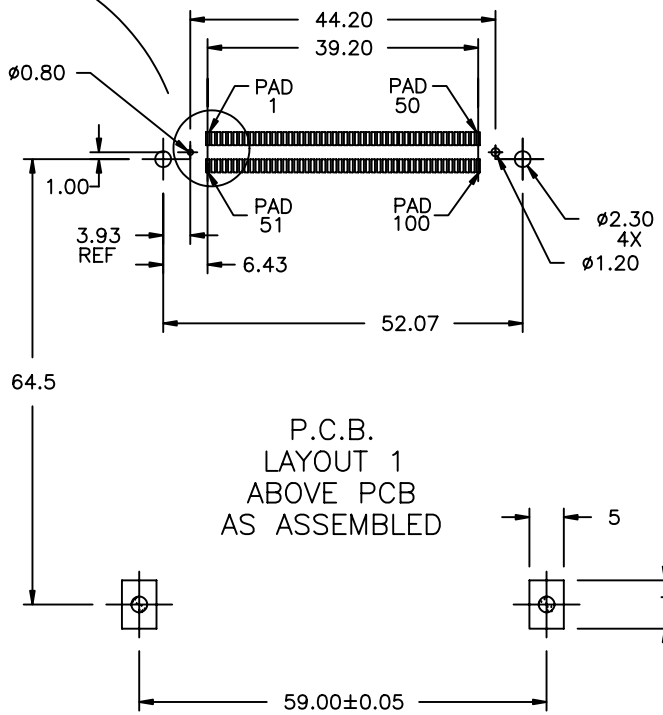
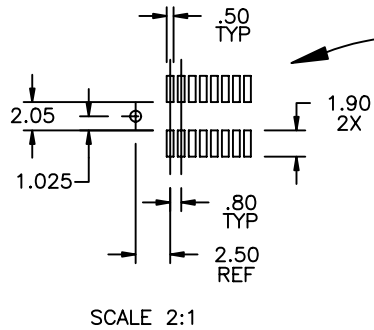


MATING RECEPTACLE
SHOWN FOR APPLICATION
CLARITY ONLY
MUST BE PURCHASED
SEPARATELY



| | | | | | |
|-------------|----------|---------------------------------------|-----------------|------------|---------------------------------------|
| mat'l. code | | surface | tolerance | projection | product family |
| ltr | | ISO 1302 | ISO 406 ISO 101 | | |
| ecn no | dr | tolerances unless otherwise specified | | | title |
| R | | angles | .X±.3 | MM | CARDBUS SINGLE DECK ASSY SMT TYPE 123 |
| | | linear | .XX±.13 | | |
| | | ±2' | .XXX±.051 | scale:1:1 | |
| | | dr | R.GRAPE | 7/3/96 | dwg no |
| | | enr | D.BRANN | 7/3/96 | 71299 |
| | | chr | D.BRANN | 7/3/96 | sheet 7 of 11 |
| | | appd | D.BRANN | 7/3/96 | size A4 |
| sheet | revision | | | | type |
| index | sheet | | | | CUSTOMER Drawing |

P.C.B. LAYOUT FOR 2.2mm STANDOFF



P.C.B. LAYOUT 1
ABOVE PCB
AS ASSEMBLED

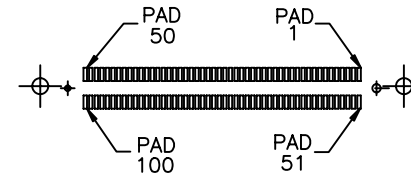
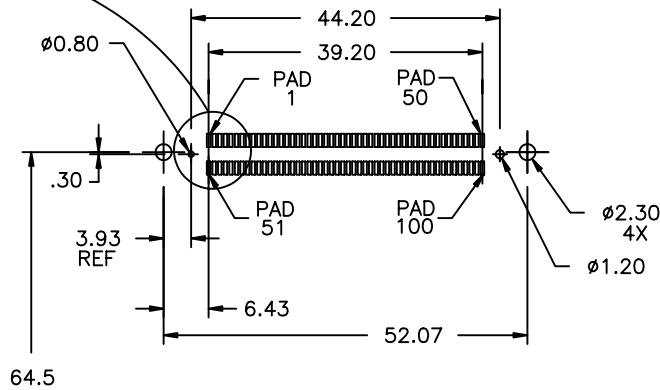
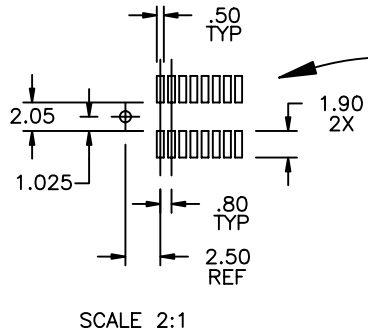
P.C.B. LAYOUT 2
BELOW PCB
AS ASSEMBLED

| | | | | | | | | | |
|-------------|----------------|---------------------|------|---------------------------------------|---------|-------------------------------|-----------|--|--|
| mat'l. code | | surface ISO 1302 | | tolerance ISO 406 ISO 1101 | | projection 1:1 | | product family | |
| ltr | ecm no | dr | date | tolerances unless otherwise specified | | | | title | |
| R | | | | angles | linear | .X±.3 .XX±.13 .XXX±.051 | MM | CARDBUS SINGLE DECK ASSY SMT TYPE 123 | |
| | | | | ±2' | | | scale:1:1 | dwg no 71299 sheet 8 of 11 size A4 | |
| | | | | dr | R.GRAPE | 7/3/96 | FCI | type CUSTOMER Drawing | |
| | | | | enr | D.BRANN | 7/3/96 | | | |
| | | | | chr | D.BRANN | 7/3/96 | | | |
| | | | | appd | D.BRANN | 7/3/96 | | | |
| sheet index | revision sheet | | | | | | | | |

This document is the property of and embodies CONFIDENTIAL and PROPRIETARY information of FCI. No part of the information shown on this document may be used in any way or disclosed to others without the written consent of FCI. Copyright FCI.

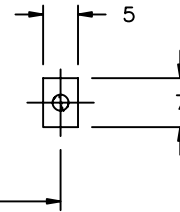
FCIconnect.com

P.C.B. LAYOUT FOR 4.3 AND 5.0mm STANDOFFS



P.C.B. LAYOUT 3 ABOVE PCB AS ASSEMBLED

P.C.B. LAYOUT 4 BELOW PCB AS ASSEMBLED



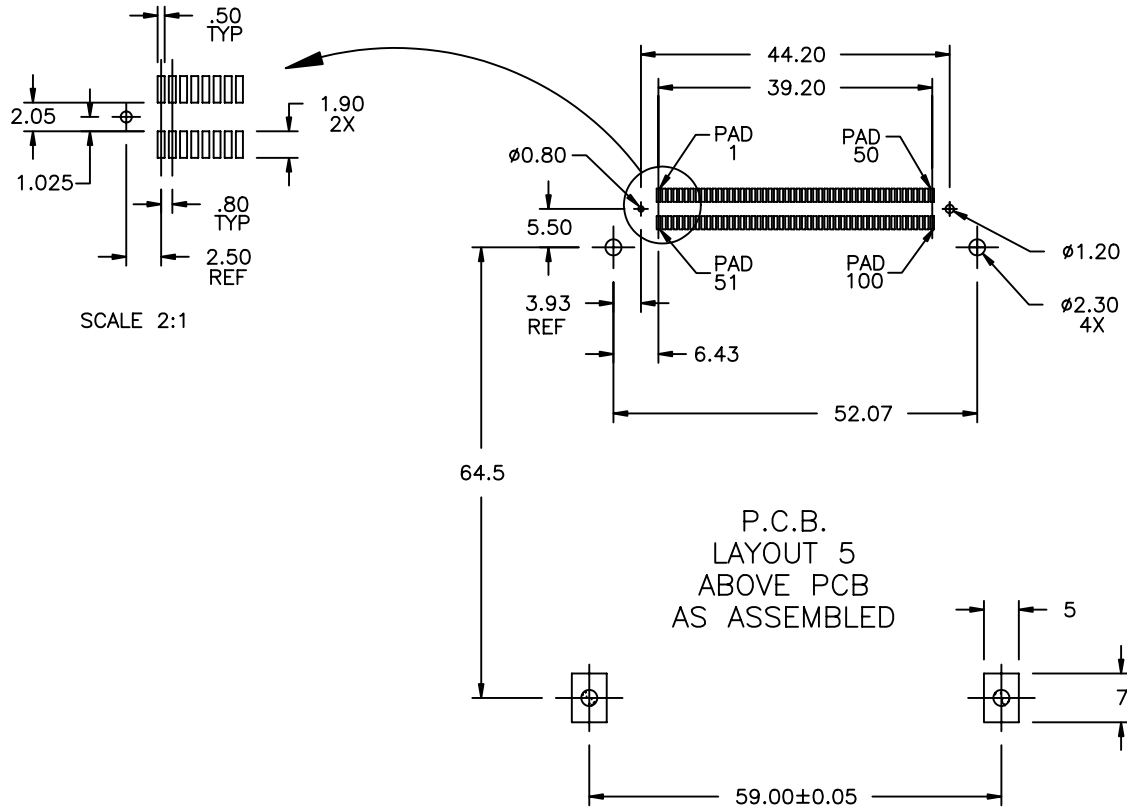
| | | | | | | | | | |
|-------------|----------|----------|---------|---------------------------------------|-----------|------------|-----------|----------------|---------------------|
| mat'l. code | | surface | | tolerance | | projection | | product family | |
| | | ISO 1302 | | ISO 406 ISO 1101 | | | | | |
| ltr | ecm no | dr | date | tolerances unless otherwise specified | | | | | |
| R | | | | angles | .X±.3 | | | | title |
| | | | | linear | .XX±.13 | | | | CARDBUS SINGLE DECK |
| | | | | ±2' | .XXX±.051 | | scale:1:1 | | ASSY SMT TYPE 123 |
| | | dr | R.GRAPE | 7/3/96 | | | | dwg no | sheet 9 of 11 size |
| | | enr | D.BRANN | 7/3/96 | | | | 71299 | A4 |
| | | chr | D.BRANN | 7/3/96 | | | | | |
| | | appd | D.BRANN | 7/3/96 | | | | type | CUSTOMER Drawing |
| sheet | revision | | | | | | | | |
| index | sheet | | | | | | | | |

FCI CONFIDENTIAL

FCI
FCIconnect.com

This document is the property of and embodies CONFIDENTIAL and PROPRIETARY information of FCI. No part of the information shown on this document may be used in any way or disclosed to others without the written consent of FCI. Copyright FCI.

P.C.B. LAYOUT FOR 0mm STANDOFF



P.C.B.
LAYOUT 5
ABOVE PCB
AS ASSEMBLED

| | | | | | |
|-------------|----------|---------------------------------------|------------------|------------|--|
| mat'l. code | | surface | tolerance | projection | product family |
| R | | ISO 1302 | ISO 406 ISO 1101 | | title |
| | | tolerances unless otherwise specified | | | CARDBUS SINGLE DECK ASSY SMT TYPE 123 |
| | | angles | .X±.3 | MM | |
| | | linear | .XX±.13 | scale:1:1 | dwg no |
| | | ±2' | .XXX±.051 | | sheet 10 of 11 size |
| | | dr | R.GRAPE | 7/3/96 | 71299 |
| | | enr | D.BRANN | 7/3/96 | A4 |
| | | chr | D.BRANN | 7/3/96 | type |
| | | appd | D.BRANN | 7/3/96 | CUSTOMER |
| sheet | revision | | | | Drawing |
| index | sheet | | | | |

| HEADER PINOUT | TYPE | BTB 100 POS RECEPTACLE | HEADER PINOUT | TYPE | BTB 100 POS RECEPTACLE | SHIELD PINOUT | TYPE | BTB 100 POS RECEPTACLE |
|---------------|------|------------------------|---------------|------|------------------------|---------------|------|------------------------|
| 1 | GND | 1 | 35 | GND | 51 | 1 | GND | 4 & 54 |
| 2 | SIG | 2 | 36 | DET | 52 | 2 | GND | 7 & 57 |
| 3 | SIG | 3 | 37 | SIG | 53 | 3 | GND | 10 & 60 |
| 4 | SIG | 5 | 38 | SIG | 55 | 4 | GND | 13 & 63 |
| 5 | SIG | 6 | 39 | SIG | 56 | 5 | GND | 16 & 66 |
| 6 | SIG | 8 | 40 | SIG | 58 | 6 | GND | 19 & 69 |
| 7 | SIG | 9 | 41 | SIG | 59 | 7 | GND | 22 & 72 |
| 8 | SIG | 11 | 42 | SIG | 61 | 8 | GND | 25 & 75 |
| 9 | SIG | 12 | 43 | SIG | 62 | 9 | GND | 26 & 76 |
| 10 | SIG | 14 | 44 | SIG | 64 | 10 | GND | 29 & 79 |
| 11 | SIG | 15 | 45 | SIG | 65 | 11 | GND | 32 & 82 |
| 12 | SIG | 17 | 46 | SIG | 67 | 12 | GND | 35 & 85 |
| 13 | SIG | 18 | 47 | SIG | 68 | 13 | GND | 38 & 88 |
| 14 | SIG | 20 | 48 | SIG | 70 | 14 | GND | 41 & 91 |
| 15 | SIG | 21 | 49 | SIG | 71 | 15 | GND | 44 & 94 |
| 16 | SIG | 23 | 50 | SIG | 73 | 16 | GND | 47 & 97 |
| 17 | PWR | 24 | 51 | PWR | 74 | | | |
| 18 | SIG | 27 | 52 | SIG | 77 | | | |
| 19 | SIG | 28 | 53 | SIG | 78 | | | |
| 20 | SIG | 30 | 54 | SIG | 80 | | | |
| 21 | SIG | 31 | 55 | SIG | 81 | | | |
| 22 | SIG | 33 | 56 | SIG | 83 | | | |
| 23 | SIG | 34 | 57 | SIG | 84 | | | |
| 24 | SIG | 36 | 58 | SIG | 86 | | | |
| 25 | SIG | 37 | 59 | SIG | 87 | | | |
| 26 | SIG | 39 | 60 | SIG | 89 | | | |
| 27 | SIG | 40 | 61 | SIG | 90 | | | |
| 28 | SIG | 42 | 62 | SIG | 92 | | | |
| 29 | SIG | 43 | 63 | SIG | 93 | | | |
| 30 | SIG | 45 | 64 | SIG | 95 | | | |
| 31 | SIG | 46 | 65 | SIG | 96 | | | |
| 32 | SIG | 48 | 66 | SIG | 98 | | | |
| 33 | SIG | 49 | 67 | DET | 99 | | | |
| 34 | GND | 50 | 68 | GND | 100 | | | |

NOTES:

- 8mm MIN CARD EJECT.
- EJECT TRAVEL: 9.5mm
- MATERIAL:
 - 3.1 HEADER ASSY:
PLASTIC HOUSING: LCP UL94V-0 BLACK - ABOVE PCB
LCP UL94V-0 BLACK - BELOW PCB
PIN: PHOSPHOR BRONZE
PCB: FR4
 - 3.2 EJECT MECHANISM ASSY:
PLASTIC GUIDE: POLYPHTHARAMID UL94V-0 BLACK
PLASTIC PUSH-ROD BUTTON: POLYPHTHARAMID UL94V-0 BLACK
COVER PLATE, LINK ARM,
PUSH ROD: STAINLESS STEEL
EMI CONTACT: PHOSPHOR BRONZE
 - 3.3 .8 BTB RECEPTACLE: 73277-101000
PLASTIC: LCP 94V-0 BLACK
CONTACT: BeCu
- FINISH (PIN)
UNDER PLATING: 0.5um MIN Ni
CONTACT AREA: 0.1um MIN GOLD OVER
0.5um MIN Pd-Ni
SOLDER TAIL(TIN LEAD OPTION): 2.5umMIN Sn-Pb
SOLDER TAIL(LEAD FREE OPTION): 2.5umMIN PURE TIN
- DIM "X"

| | | |
|----------|---------|------------------|
| 4.25±0.1 | 3.5±0.1 | 5.0±0.1 |
| OTHERS | 36,67 | 1,17,34,35,51,68 |
- RECOMMENDED SCREW TORQUE: 1.0 TO 1.5 MAX in-lbs. (1.2-1.7 cm-kgs).
RECOMMENDED HOLD-DOWN 2mm SCREWS (95121)
AND HEX NUTS (92869-001).
- GS-14-920 SPEC. SHOULD BE APPLIED LEAD FREE P/N.
- IF LEAD FREE P/N.THE HOUSING WILL WITHSTAND EXPOSURE TO 260°C PEAK TEMPERATURE FOR 10 SECONDS IN A WAVE SOLDER APPLICATION WITH A 1.00MM MINIMUM THICK CIRCUIT BOARD.
- IF LEAD FREE P/N.THE PRODUCT MEETS EUROPEAN UNION DIRECTIVES AND OTHER COUNTRY REGULATIONS AS DISCRIBLED IN GS-22-008

| | | | | | | | | | |
|-------------|----------|---------------------|---------|---------------------------------------|--------|----------------|-----------|---------------------------------------|-------------------|
| mat'l. code | | surface ISO 1302 | | tolerance ISO 406 ISO 1101 | | projection | | product family | |
| ltr | ecn no | dr | date | tolerances unless otherwise specified | | | | title | |
| R | | | | angles | linear | .X±.3 | MM | CARDBUS SINGLE DECK ASSY SMT TYPE 123 | |
| | | | | ±2' | | .XX±.13 | ← | | |
| | | | | | | .XXX±.051 | scale:1:1 | | |
| | | dr | R.GRAPE | 7/3/96 | | | dwg no | | sheet 11of11 size |
| | | enr | D.BRANN | 7/3/96 | | | 71299 | | A4 |
| | | chr | D.BRANN | 7/3/96 | | | type | | CUSTOMER Drawing |
| | | appd | D.BRANN | 7/3/96 | | | | | |
| sheet | revision | | | | | | | | |
| index | sheet | | | | | | | | |